



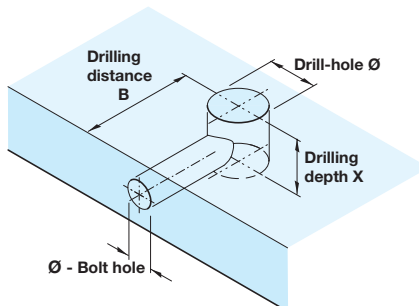
Advantages of the Minifix range:

- The housing recess to accept the bolt is cup shaped
- Bolt has semi-spherical head which fits into the housing recess centrally
- The fitting works on the centric principle as opposed to eccentric principle. It has no sharp edges and substantial added strength
- The diagram showing the tightening distance highlights another advantage of minifix



Drilling dimensions:

- **Drill-hole Ø:** Ø 15 and Ø 12 mm according to choice of housing
- **Drilling depth X:** from 9.5 to 19.5 mm according to choice of housing used for board thicknesses from 12 to 29 mm
- **Drilling distance B:** may be either 24 mm or 34 mm for Minifix 15 and 12 mm
- **Bolt drill hole:** Ø 5, Ø 7 or Ø 8 mm, according to choice of connecting bolt.



The Minifix 'clockface'

The **Minifix 'clockface'** demonstrates correct tightening:

The long tightening distance **A** of approx. 5.7 mm from only one half of a turn of the housing offers the following benefits:

- Variations in hole size of +1 mm to approx. -0.5 mm are compensated for without loss of efficiency
- Tension is rapidly achieved as the housing is tightened, before the arrow reaches the 195° stop (12.30)

The tightening distance **A** can be separated into 3 travel segments with different functions, namely:

1 Closing distance:

0° - 75° (6 to 8.30) = **3.2 mm** pull

This turn is necessary to draw the bolt head into the centre of the housing (no tightening occurs within this segment)

2 Tightening distance:

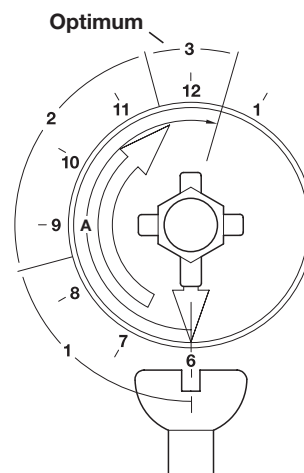
75° - 165° (8.30 to 11.30) = **2 mm** pull

This segment is sufficient to ensure rigid tensioning. Provided the specified drill-hole size has been met, tightening will be initiated as early as 120° (10 o'clock). Optimum security will be reached at 165° (11.30)

3 Retightening distance:

165° - 195° (11.30 to 12.30) = **0.5 mm** pull is required:

To accommodate variations in drill-hole size or if the furniture is assembled and disassembled repeatedly or requires retightening due to severe loadings



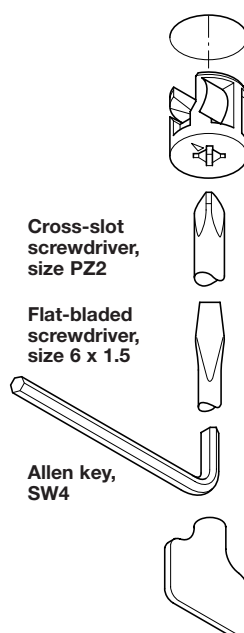
Tightening

The housing must be installed with the arrow pointing directly towards the bolt.

Minifix 15 housings in **zinc alloy**, for wood thicknesses **from 16 mm**, incorporating the necessary tightening element, can be locked with any of the tools shown right.

Polycarbonate Minifix 15 housings feature a single slot and can be locked with a large-bladed screwdriver, a key or a coin.

For wood thicknesses from **12 mm** use cross-slot screwdriver size 2 only, for wood thicknesses **13 and 15 mm**, flat-tipped screwdriver can be used in addition.



Minifix 15, 12 and 10

Product choice:Page

Housings,	10-15
Metal, Ø15 mm	10-11
Metal, Ø12 mm	12
Metal, Ø 15/12 mm	12
Metal, Ø 10 mm	13
Polycarbonate, Ø15 mm	14-15

Bolts for the above housings16-24

Drilling jig for Minifix9

Mitre drilling jig25